

Home Automation System and IoT: Review & Approach

Smaranika Mohapatra¹, Neelamani Samal²

¹(Department of Computer Science and Engineering, MAIET, Jaipur, India)

²(Department of Computer Science & Engineering, Biju Pattnaik University Of Technology, India)

Abstract: A low value and user friendly sensible home system that uses an android application to speak with the cloud and provides shift functionalities, is given. The system eliminates the utilization of private pc and pc peripherals that ends up in overall reduction within the price of system. Unlike the similar system that uses either of Bluetooth module network. The planned system use net of things (IOT) for watching and dominant electrical and physics appliances remotely. Switches of electrical and electronics appliance are integrated to the system so as to demonstrate the effectiveness and feasibility of the system.

Keywords: Internet of things, Smart home, Home automation, android Smartphone, arduino

I. Introduction

IoT could be a trending thought during which the machines or things are created to act with the surroundings by exchanging knowledge and knowledge perceived by the sensors. The devices gather info and knowledge from the surrounding surroundings by using varied latest technologies so there's an information flow between devices. Typically, IoT offers advanced connectivity of devices, systems, and services that is beyond machine-to-machine communications (M2M) and covers a range of protocols, domains, and applications. The interconnection of those embedded devices can commence automation in nearly all fields, right from a sensible Grid, to the areas like good cities. IoT could be a thought that is anticipated to rule the globe inside some years.

Major applications of IoT:

Intelligent Traffic watching System using IoT: The system uses RFID, wireless sensing elements like optical device sensor, infrared sensing element, ad-hoc networking. It permits the drivers to decide on best ways to reach the destination. The moving vehicles are often monitored, controlled and administrated by the system. tie up are often reduced to an excellent extent and traffic safety is secured. [1]

Tsunami Detection System using IoT: The System consists of sensors, satellites, active observation system etc. Not solely sensors, however additionally satellites play a crucial role in IoT. The changes in position of z-axis are measured by the detector using GPS. The satellite collects information from the detector nodes. The information gathered s then sent to the base station via. Wireless networks. At the base station, the waves are analysed and are distinguished as normal and tsunami waves. [2]

Vehicular Pollution observance using IoT: The System consists of wireless detector networks, gas sensors and RFID tagging system. It permits detection of level of pollution on road. The vehicles that cause pollution over an explicit limit are monitored. RFID tagging systems at the side of the sensors square measure wont to monitor and management the amount of pollution anytime, anywhere. [3]

Waste Management victimization IoT: an M2M device referred to as Sintelur is driven by the Carriots IoT platform. The filling level of waste (glass, paper, cardboard, cans, etc.) within the containers is decided by this device. Using GPRS, this data is transmitted to the management centre. To raised manage the recycling method and improve utilisation policies they need dashboards and tools. The pickup service becomes more economical because it calculates the simplest routes for assembling the waste which ends up in reducing prices and carbon dioxide emissions. [4]

Home Automation could be a quite extending building automation. Home automation principally reduces the human efforts and enhances the ability of our home with improved convenience, ease and security. It adds smartness to the machine learning concepts. Home Automation is becoming popular because the conception of "Internet of things" has paired with it. With the assistance of internet of things, home automation management controls the house appliances like control of lighting, air con, heating, theatre, electrical doors and alternative electronic appliances.

Electrical devices of home are combined with one another in home automation system. These devices are connected through a home network to permit management by a Smartphone or tablet with internet access. Through the involvement of knowledge technologies, the house appliances will operate well with the assistance of internet of things which ends up in convenience, ease, power potency, and safety. additionally in industrialisation, the automation system proves itself a extremely intelligence.

In this paper we tend to introduce internet of Things based Home Automation System that provides a coffee value, user friendly, smart home. It uses AN golem application that provides switch functionalities,

wherever the Electrical/Electronic appliances will be monitored and controlled remotely. this technique eliminates use of ancient personal computers (PC) and its peripheral devices, that provides straightforward quality.

II. Existing Home Automation System

The existing works were in the main focused on switch and controlling home appliances or connected devices instead of remotely watching of home setting

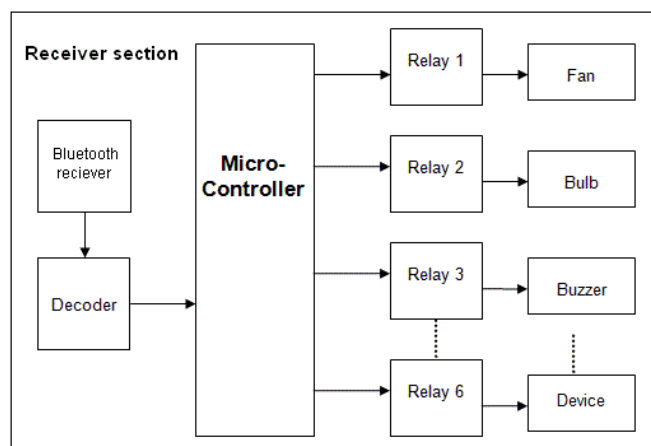


Fig: 1.1 Home Automation System using Bluetooth

Module Fig. 1.1 represents the present system for home automation. in this system, Bluetooth module is interfaced to 8051 microcontroller. Wireless communication is used by the automaton application to send messages to the Bluetooth. Program is written on 8051 microcontroller. Inorder to receive the commands, communication between the 8051 microcontroller and therefore the Bluetooth module takes place serially. On the premise of command received from the Bluetooth, the microcontroller mechanically switches the electrical loads. this method consists of a microcontroller, Bluetooth module, 16 x 2 alphameric liquid crystal display, 2 5V relays, a lamp and DC motor. For the higher than circuit, reset circuit and crystal circuit got to be connected to boot to the controller so it works properly. The statuses of electrical loads are indicated using circuit liquid crystal display. it's additionally accustomed display data received from Bluetooth. Here liquid crystal display is interfaced to the PORT1 of the microcontroller in four bit mode.

Bluetooth module TX and RX pins are connected to the RXD and TXD pins of controller. GND pin is connected to ground and Vcc pin is connected to the 5V. Serial communication (UART protocol) is used by the controller to communicate with Bluetooth module. to communicate with Bluetooth, a baud rate of 9600 is used. The Bluetooth name and password may be modified by using Bluetooth AT commands.

Proposed Algorithm

Remote password Operated Home Appliances control Project Algorithm:

- Initialize the liquid crystal display and UART protocol.
- Now read the information from Bluetooth module.
- Display the received information on liquid crystal display.
- Compare the received string with predefined strings and consequently switch the
- Electrical loads.
- Display the status of electrical loads on liquid crystal display

References

- [1]. Yuichi KAWAMOTO, Hiroki NISHIYAMA, Nei KATO, Naoko YOSHIMURA, and Shinichi YAMAMOTO, "Internet of Things (IoT): Present State and Future Prospects".
- [2]. Hasan Omar Al-Sakran, "Intelligent Traffic Information System Based on Integration of Internet of Things and Agent Technology", (IJACSA) International Journal of Advanced Computer Science and Applications, Vol. 6, No. 2, 2015.
- [3]. <http://postscapes.com/internet-of-things-award/project/sintelur-waste-management/>
- [4]. Manna. S, Bhunia. S.S, Mukherjee.N, "Vehicular pollution monitoring using IoT", Recent Advances and Innovations in Engineering (ICRAIE),2014
- [5]. N. Sriskanthan and Tan Karand, "Bluetooth Based Home Automation System". Journal of Microprocessors and Microsystems, Vol. 26, pp.281-289, 2002.
- [6]. A. Z. Alkar and U. Buhur, "An internet based wireless home automation system for multifunctional devices", IEEE Transactions on Consumer Electronics, vol. 51, pp. 1169-1174, 2005.
- [7]. Muhammad Izhar Ramli, Mohd Helmy Abd Wahab, Nabihah, "TOWARDS SMART HOME: CONTROL ELECTRICAL DEVICES ONLINE",Normabihah Ahmad International Conference on Science and Technology: Application in Industry and Education (2006).
- [8]. E. Yavuz, B. Hasan, I. Serkan and K. Duygu. "Safe and Secure PIC Based Remote Control Application for Intelligent Home". International Journal of Computer Science and Network Security, Vol. 7, No. 5, May 2007.
- [9]. Deepali Javale, M ohd. Mohsin, Shreerang Nandanwar, and M .Shingate, "Home Automation and Security System Using Android ADK", International Journal of Electronics Communication and Computer Technology, vol. 3, pp. 382-385, 2013.